



NOVATTO

NBF-084BN WAVE Waterfall Lav Faucet, Brushed Nickel

Requested By: _____

Specific Features: _____

STANDARD SPECIFICATIONS:

- Single handle control
- Solid brass construction
- High pressure ceramic cartridge
- Brushed nickel finish
- Single hole deck mount installation
- 1.5-inch mounting hole diameter
- cUPC and AB1953 low lead compliant
- ASME A112.18.1-2011/CSA B125.1-11
- NSF 61 and NSF 372 certified
- WaterSaver option available

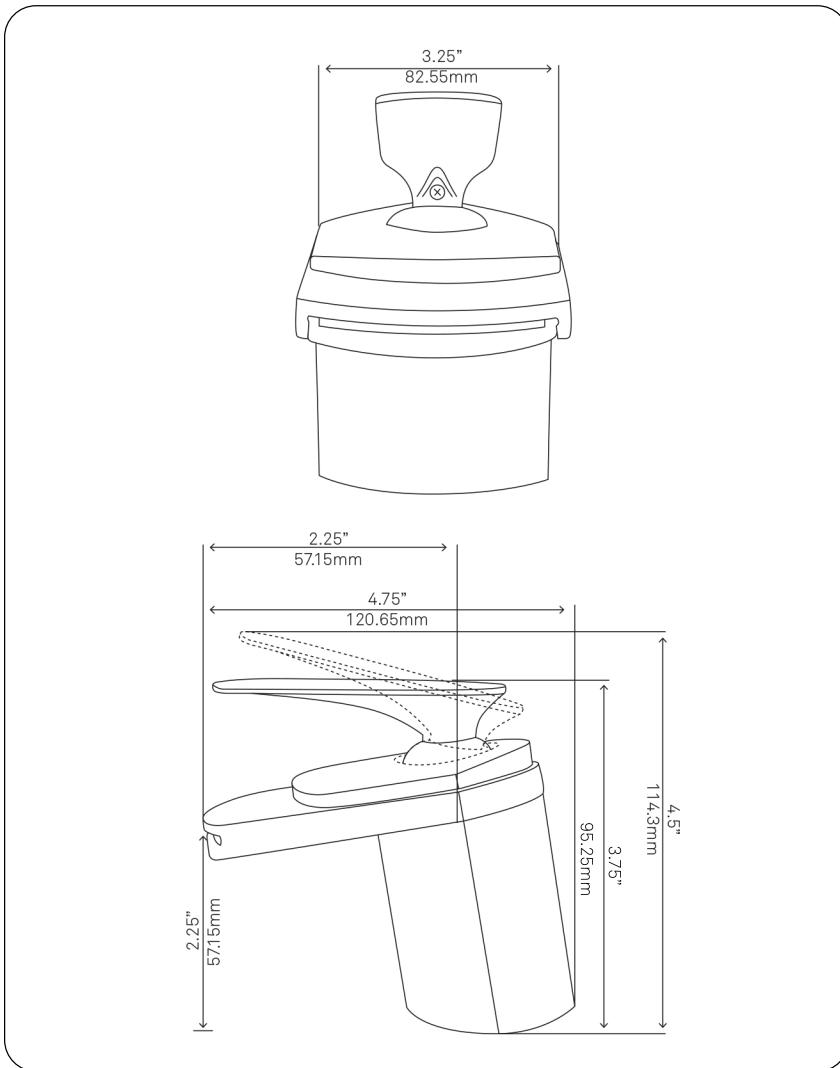
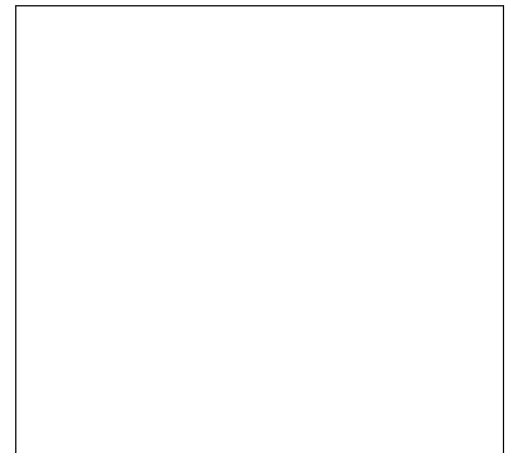
WARRANTY:

- Limited lifetime warranty
- See www.Novatto.com for details

COORDINATING ACCESSORIES:

- PUD-BN pop-up drain
- Glacier Ice Restoration and Sealer kit

NOTES



Novatto reserves the right (1) to make changes in specifications and materials, and (2) to change or discontinue models, both without notice or obligation. Dimensions are for reference only, see www.Novatto.com for finish options and product availability.

Novatto Inc
TOLL FREE 844.404.4242
www.Novatto.com